

**Model**

**PWK-355 PANEL DISPLAY PIVOT MOUNT**

Thank you for purchasing the PDR panel display wall mount.

To ensure the correct usage, please read and follow the instructions manual thoroughly. Please store the instructions in a safe place for future reference.

All PDR mounts and adapters carry a limited lifetime warranty from ship date against defects in material and workmanship.

We are not liable for improper installation that results in damage to mounts, adapters or presentation equipment.

**Special techniques are necessary for installation of the panel display mount.**


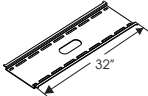

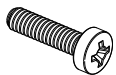

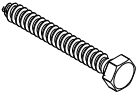



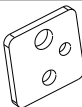
- Do not attempt to perform this work by yourself.
- Request an installation specialist to install this unit.
- Manufacturer assumes absolutely no responsibility for injuries and damages that may occur due to improper installation and handling.
- Please remember that if you remove the panel display from the wall later, you will find the screw holes and anchor bolts for the mounting unit left on the wall. Also note that long use of the panel display may discolor the wall around it due to its heat and airflow.

To ensure customer safety, be sure to decide the installation location so that the strength is sufficient to withstand the weight of both the panel display and the wall mount.

Always use at least two persons for all installations.

Fully tighten all of the mounting screws as specified in the installation instructions.

**Parts Configuration Chart**

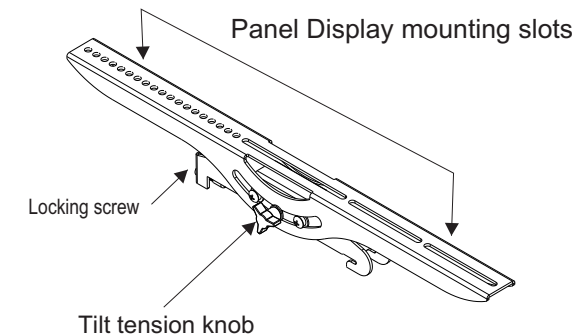
<b>A</b>		Left and Right Pivot bracket for the panel display. Model # pwk-355
<b>B</b>		Wall mount bracket...1 pc Model # pwk-355
<b>C</b>		Locking screw tips... 2 pcs
<b>D</b>		1/4-20 x 1- 1/2 Locking screws ...2 pcs
<b>E</b>		5/16" Flat washers...4 pcs
<b>F</b>		5/16" x 2 1/2" Lag bolts ...4 pcs (Note: used with the 5/16" Flat washers E).
<b>G</b>		5 mm x 16 mm Phillip screws...4 pcs
<b>H</b>		6 mm x 16 mm Phillip screws...4 pcs
<b>I</b>		8 mm x 20 mm Phillip screws...4 pcs
<b>J</b>		Square multi-mount washers...4 pcs use with G,H, or I mounting screws

**Features**

- Low profile
- 16" or 24" stud mounting points
- Easy installation
- Flat to 12° tilt up/down (no tool required)
- Lateral movement from center for better viewing position

**Mounting points for panel display models**

**Fig 1**



## INSTALLATION LOCATION



## WARNING



The wall where the wall mount is to be installed must be capable of long-term support of the total load of the panel display and wall mount. Measures should also be taken to ensure sufficient strength to withstand the force of earthquakes, vibration and other external forces.

**Note:** Incorrect installation can cause the panel display to fall and cause injury.

Total load of the panel (panel display + wall mount)  
MAXIMUM WEIGHT - 275 Lbs. (125 Kg.)



### INSTALLATION ON A WOODEN WALL

Always install so that the load is supported by a wood stud. If the strength of the wood studs is not sufficient, add reinforcement. Do not install on decorative posts or plaster board. **Always confirm the center of the stud is used for the installation.**



## CAUTION

- Avoid installing in locations where the temperature and humidity are excessively high, and where contact with any water is possible. These can result in fire or electric shock.
- Do not install close to an air conditioner intake or outlet. Do not install in locations where there are excessive amounts of dust, oily smoke or tobacco smoke. Fire could result.
- Do not block the ventilation holes. Leave sufficient clearance in regard to the surroundings to avoid blocking the ventilation. The internal temperature could elevate and possibly result in fire. Install the panel (4") or more away from surroundings.
- Install only on a vertical surface. Avoid sloped surfaces. Also, do not install facing upward. The internal temperature could elevate and possibly result in fire. Injury or damage could also result from falling.
- Do not install in locations where there is excessive vibration or impact. Injury and damage could result from the panel display falling.
- Do not install where there is direct sunlight or other strong light. Strong light could result in eye fatigue during usage.



## WARNING



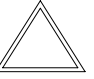







- Use the specified bolts and screws in the specified places and tighten firmly. Failure to do this could cause injury if the panel display falls.
- Do not alter any of the parts. Do not use broken parts. This could result with injury due to the panel display falling.
- Make sure that both hooks from each pivot bracket engage with the wall bracket. Failure to do so could cause the panel display to fall.
- Always use at least two people to perform the installation work. Injury could result from dropping heavy objects.

**Caution: Installation of unit is to be carried out by qualified technicians only. Install in an appropriate location by checking the wall structure and durability for safety and accident prevention.**

## Usage cautions to ensure correct usage

### Symbols

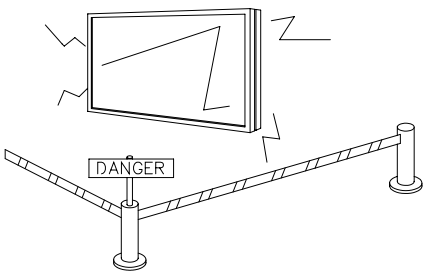



The following symbols are used to ensure safe usage of the product to prevent danger to yourself and other parties and prevent damage to property.

	<b>WARNING</b>	This symbol indicated that incorrect handling due to ignoring this symbol can result in the possibility of personal injury or even death.	
	<b>CAUTION</b>	This symbol indicated that incorrect handling due to ignoring this symbol can result in the possibility of personal injury and physical damage.	
	This symbol indicates additional caution (Including warning).		
	This symbol indicated forbidden actions.		
	This symbol indicates required action.		
	Caution (general)		Disassembly prohibited
	Forbidden (general)		Indicates that the power plug is to be disconnected from the power outlet.
	Required (general)		

### Safety Cautions



## WARNING

	When the malfunction occurs, disconnect the power plug from the power outlet and take measures to prevent other people coming near the plasma display.
	Indicates that the power plug is to be disconnected from the power outlet.
	Handling by other than professional contractors is prohibited.
	Contact your local dealer.
	<b>In the cases such as:</b> <ul style="list-style-type: none"><li>• The plasma display is loose and vibrates to an extreme degree.</li><li>• Mounting screws or parts are loose or missing.</li><li>• Perform the following actions immediately whenever a malfunction occurs.</li><li>• Turn off the plasma display power switch.</li><li>• Disconnect the power plug from the power outlet.</li><li>• Take proper precautions (such as surrounding the area with caution tape, etc.) to prevent people from coming near the area of concern.</li></ul>
	<b>Ask your local dealer to install, move or adjust the wall mount unit. Incorrect installation or adjustment can cause the plasma display to fall.</b>

Reference Sheet

 CAUTION

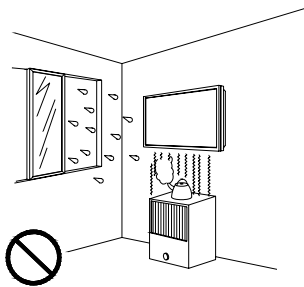


Fig 1

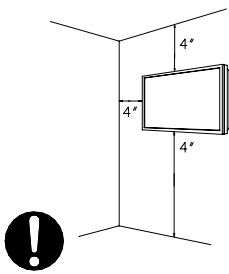


Fig 3

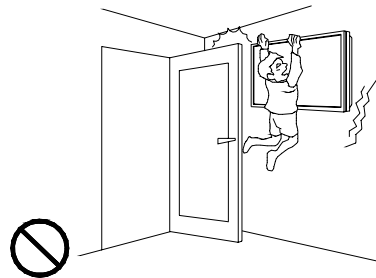


Fig 5

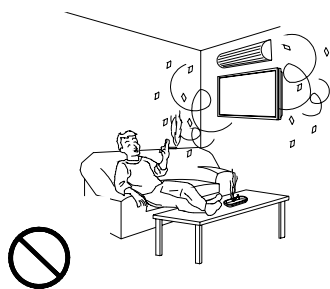


Fig 2

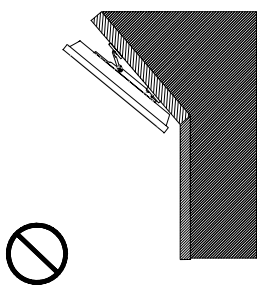


Fig 4

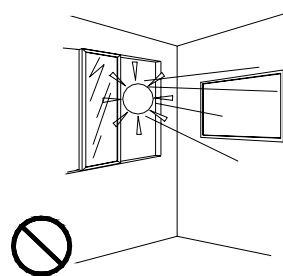


Fig 6

 WARNING

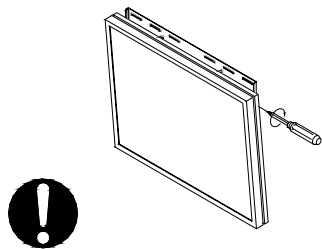


Fig 7

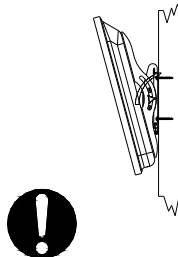


Fig 9

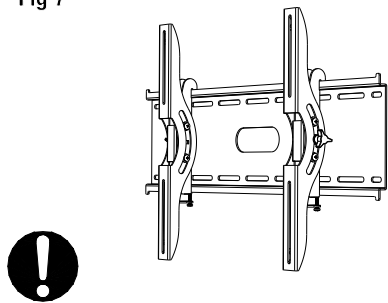


Fig 8

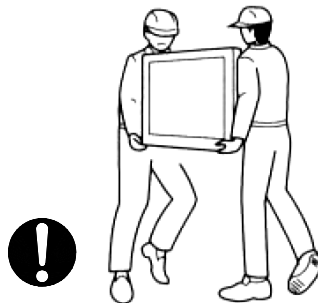
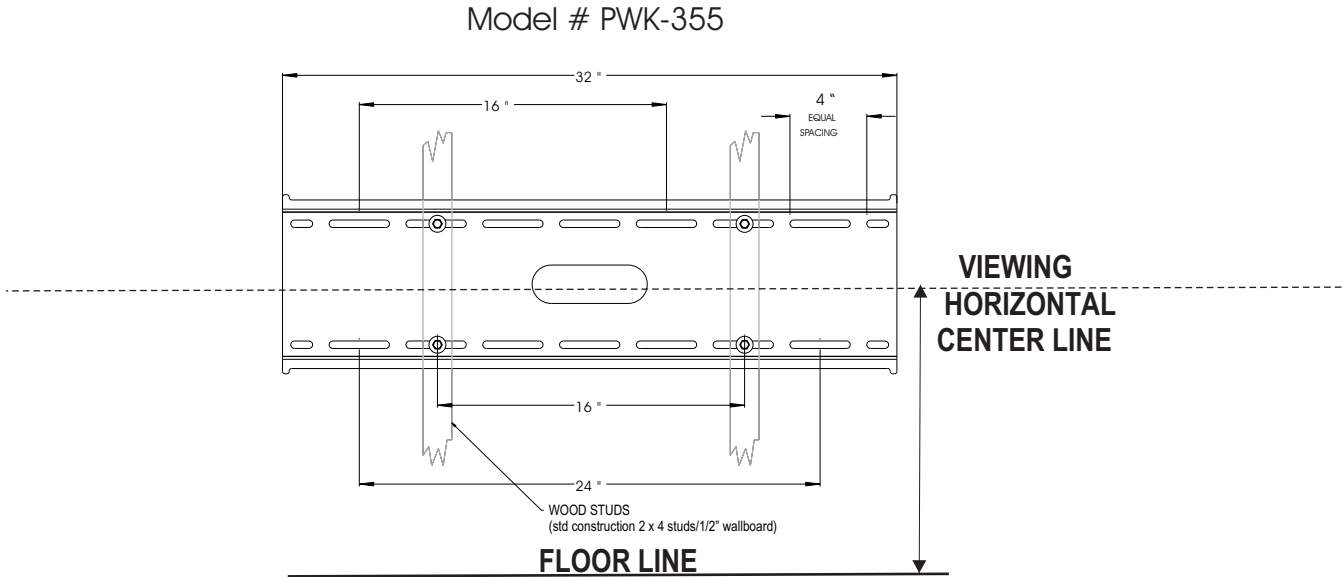


Fig 10

## 1. FASTEN MOUNTING PLATE TO WALL

The bracket must be secured to the wall studs capable of at least (4) times the weight of the unit. The wall bracket should be mounted at the same horizontal center line as the display center line ( viewing horizontal center line). Using the four lag bolts ( F ) and washers supplied ( E ) Level and secure the mounting plate to the center of the wall studs Pre drill 3/16" (5mm) hole for lag bolts **fig.2**

Fig 2

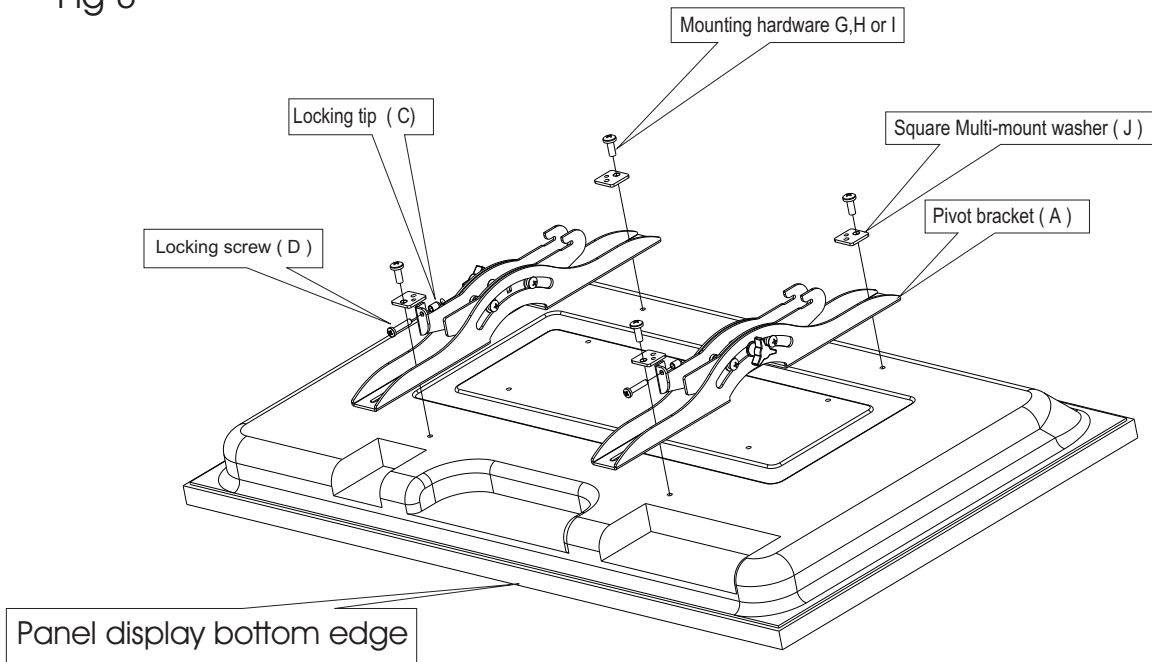


## 2. SECURE MOUNTING ARMS TO THE DISPLAY

Lay the display panel face down on a protected surface. Position the left and the right hand pivot bracket ( A ) with the knobs facing outward. See **Fig.3. Note bottom edge!** Using the proper screws and square multi-mount washers supplied ( G, H, or I and J ). Position the pivot brackets equal distance from top to bottom and tighten hardware. Insert the locking screws ( D ) into the pivot brackets and place the locking screw tips ( C ) on the end of the locking screws. **Fig 3**

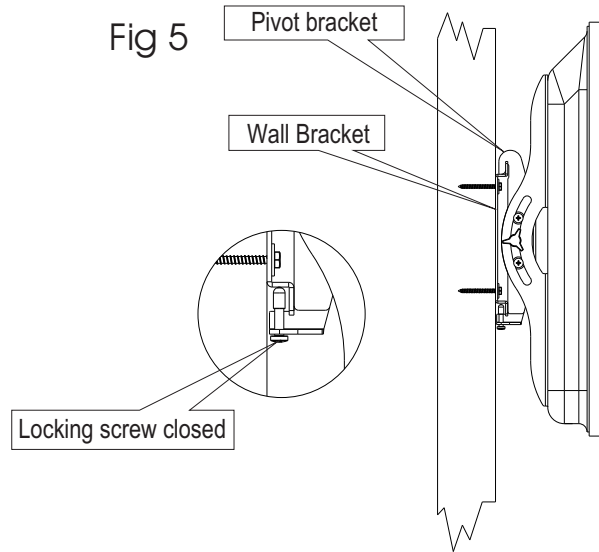
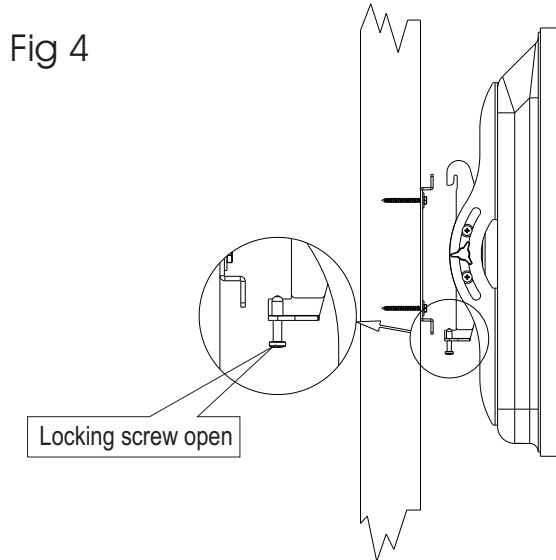
**NOTE: Do not over tighten the bracket mounting screws as damage to the display internal mounting threads could occur.**

Fig 3



### 3. MOUNT THE PANEL DISPLAY TO THE WALL BRACKET

Adjust the pivot brackets ( A ) parallel to the panel and tighten the tilt tension knobs. Make sure the locking screws ( D ) are extended to allow the unit to clear the bottom of the wall bracket. **Fig 4.** Mount the panel display to the wall bracket by placing the hooks on the pivot brackets over the wall bracket See **Fig 5.**



### 4. ADJUST LATERAL MOVEMENT AND TENSION

#### Lateral Movement:

Once the display on the wall is complete you can still move the display left to right to optimize the final viewing position, by gently sliding the unit on the wall bracket. The adjustment distance will vary depending on the display model being installed. Once you have the desired location tighten the locking screw **Fig 4** to keep the unit in place. **NOTE:** Tilting the panel up may make it easier to access the locking screw.

#### Tension:

Adjust the tension knob **fig 6.** To allow up to 12 deg of tilt. The tension knob needs only to be tight enough to keep the panel at the desired viewing angle.

